



# Illustrated Parts List

## Model Series

# 127700

TYPE NUMBERS  
0100 through 4715.

### TABLE OF CONTENTS

|                              |       |
|------------------------------|-------|
| Alternator .....             | 7     |
| Air Cleaner .....            | 4     |
| Blower Housing/Shrouds ..... | 6     |
| Camshaft .....               | 2     |
| Carburetor .....             | 3     |
| Controls .....               | 5     |
| Crankshaft .....             | 2     |
| Cylinder .....               | 2     |
| Electric Starter .....       | 7     |
| Electrical .....             | 7     |
| Engine Sump .....            | 2     |
| Exhaust System .....         | 4     |
| Flywheel .....               | 6     |
| Flywheel Brake .....         | 7     |
| Fuel Supply .....            | 5     |
| Governor Spring .....        | 5     |
| Ignition .....               | 7     |
| Kits/Gaskets .....           | 2 & 3 |
| Lubrication .....            | 2     |
| Piston Group .....           | 2     |
| Rewind Starter .....         | 6     |
| Valves .....                 | 2     |

PRINTED IN U.S.A.



COPYRIGHT by BRIGGS & STRATTON CORPORATION  
All rights reserved. No part of this material may be reproduced or transmitted, in any form or by any means, electronic or mechanical, including photocopying, recording or by any information storage and retrieval system, without permission in writing from Briggs & Stratton Corporation.

# 127700

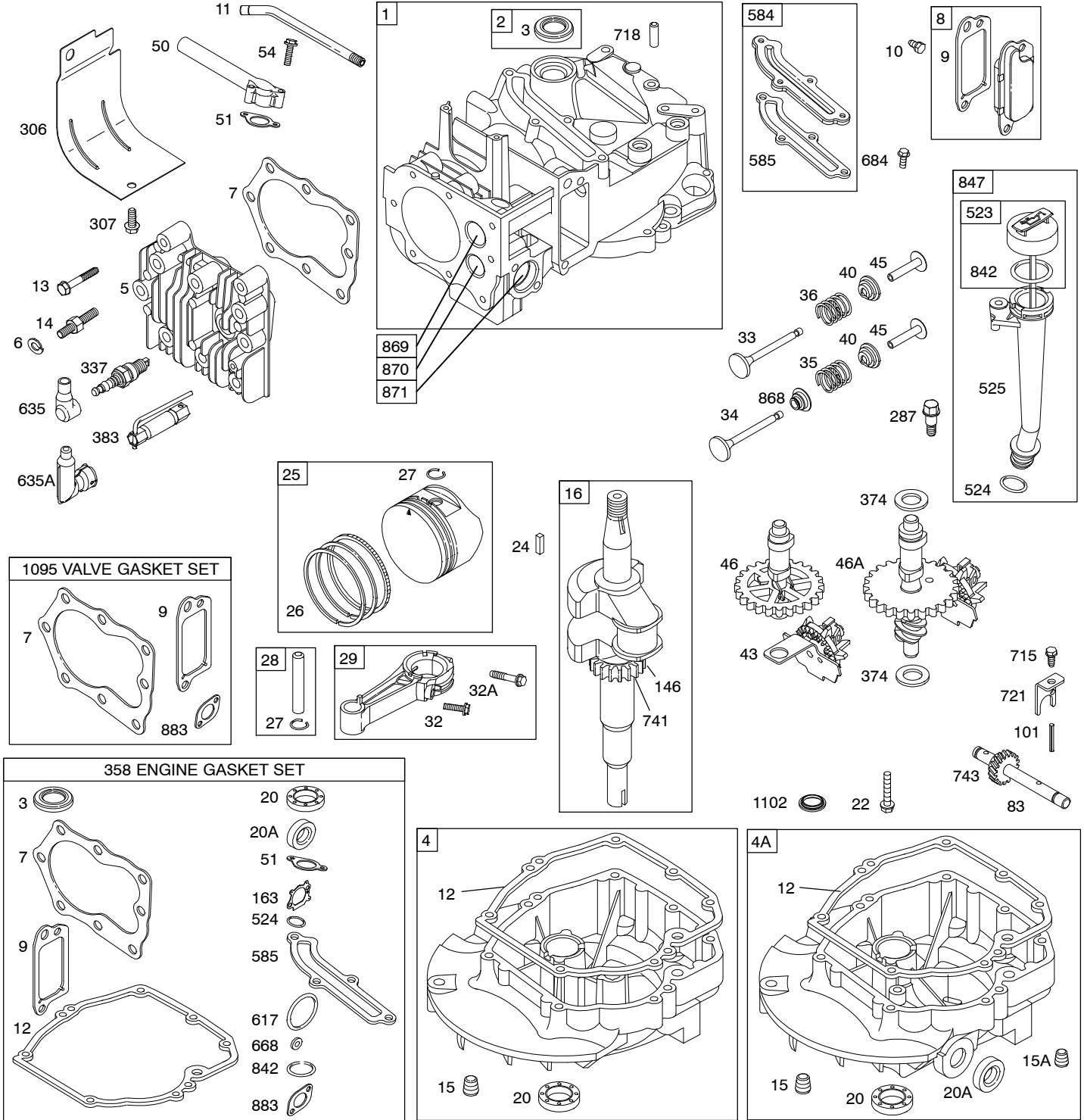
1319 WARNING LABEL

**REQUIRED** when replacing parts with warning labels affixed.

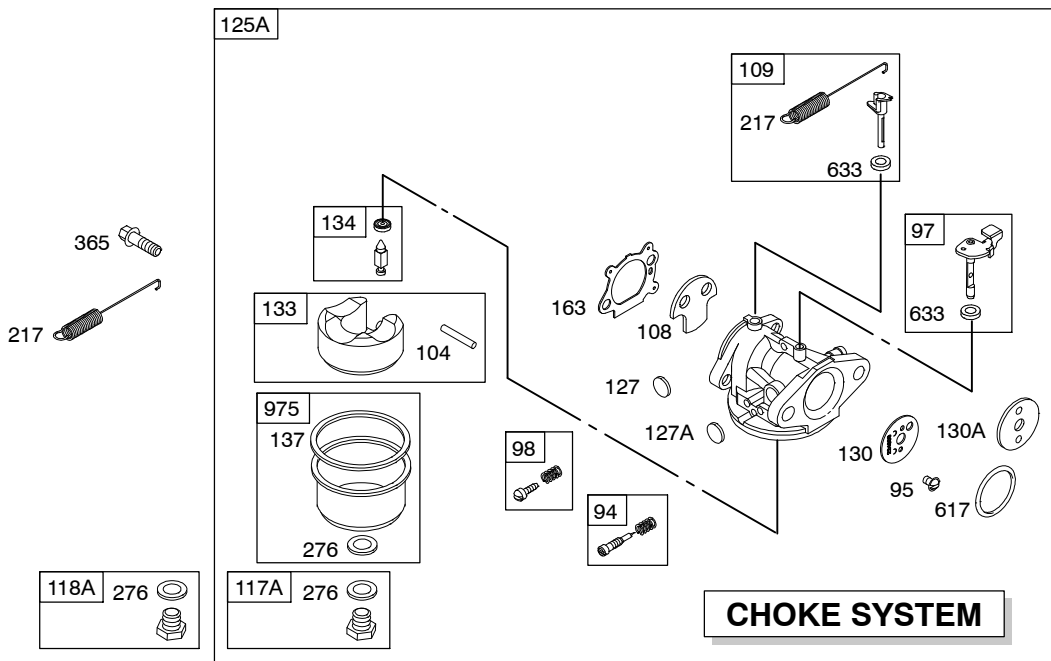
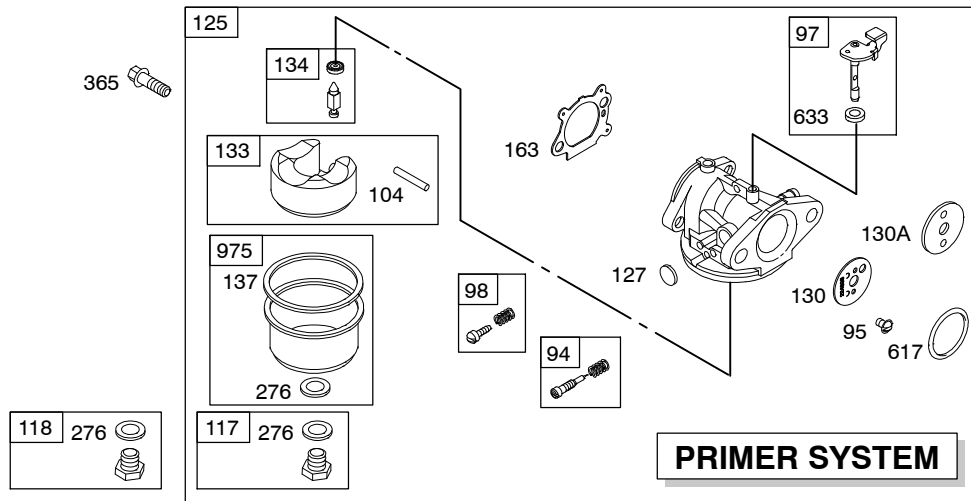
1058 OPERATOR'S MANUAL

1330 REPAIR MANUAL

1019 LABEL KIT



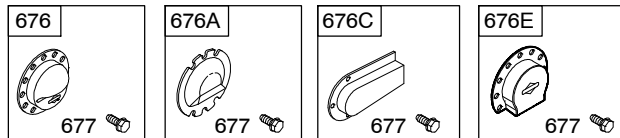
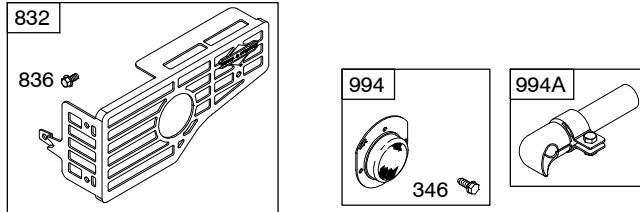
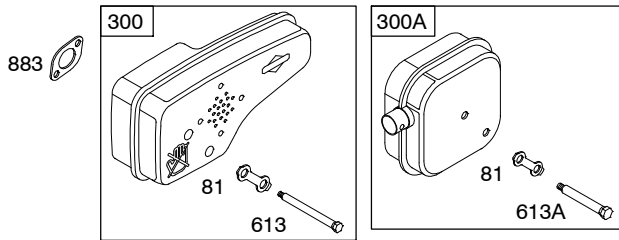
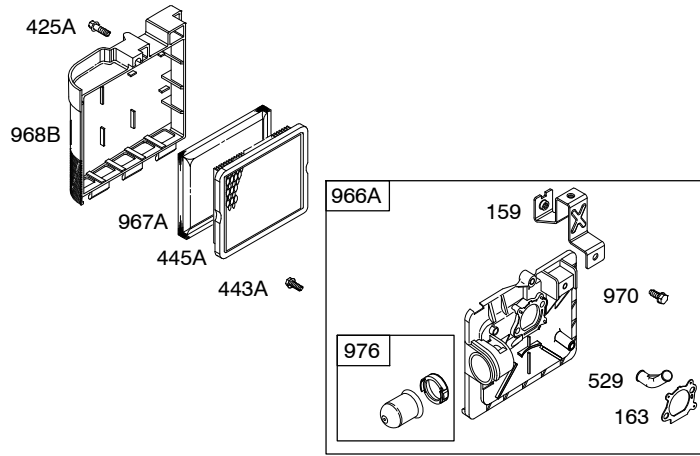
Illustrations cover a range of engines. Parts shown without corresponding text may not be used on your specific engine.  
 0567-2 Assemblies include all parts shown in frames. 06/27/2008



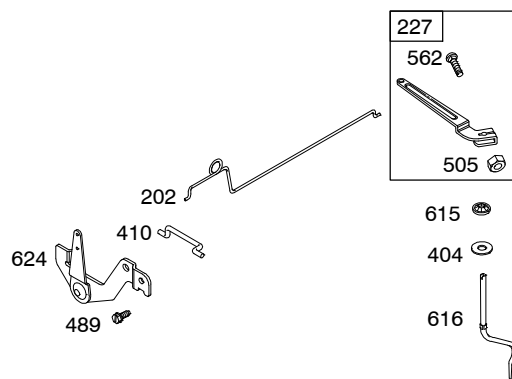
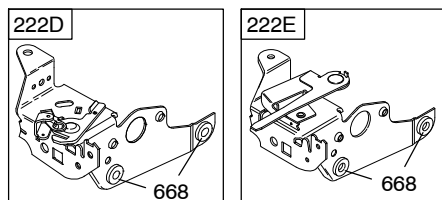
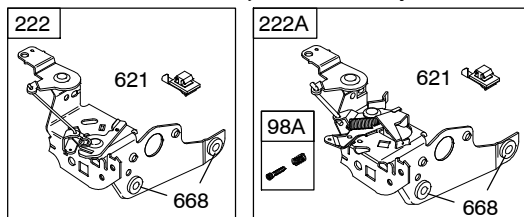
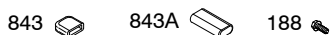
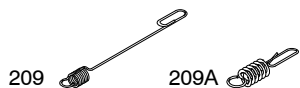
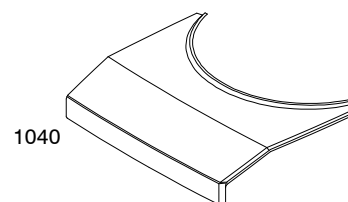
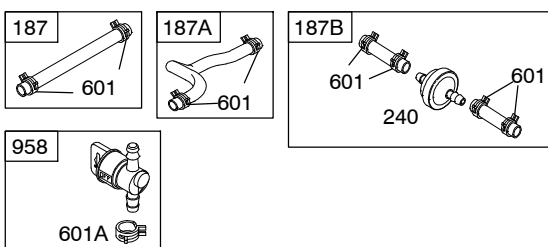
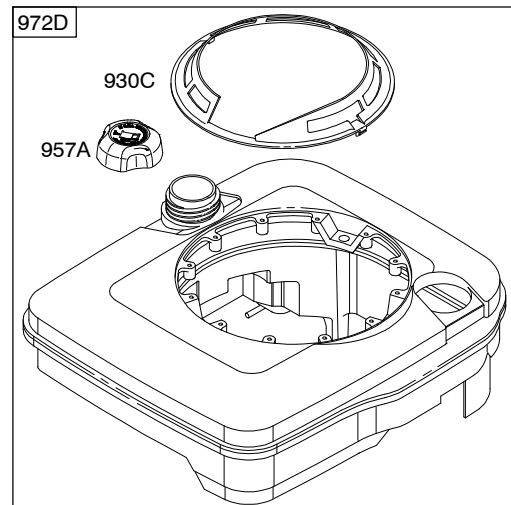
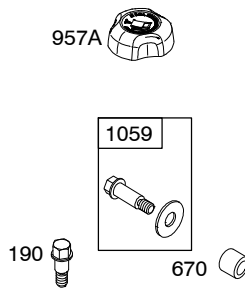
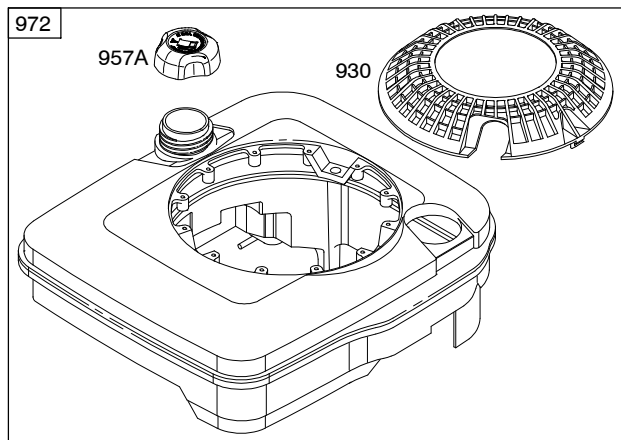
| 121 CARBURETOR OVERHAUL KIT |     |     |
|-----------------------------|-----|-----|
| 94                          | 134 | 276 |
| 104                         | 137 | 617 |
| 127                         |     | 633 |
| 127A                        | 163 |     |

| 977 CARBURETOR GASKET SET |     |     |
|---------------------------|-----|-----|
| 137                       | 276 | 633 |
| 163                       | 617 |     |

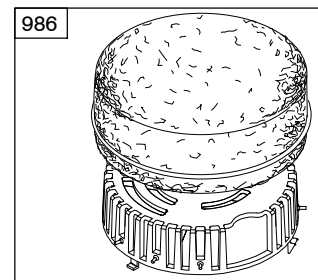
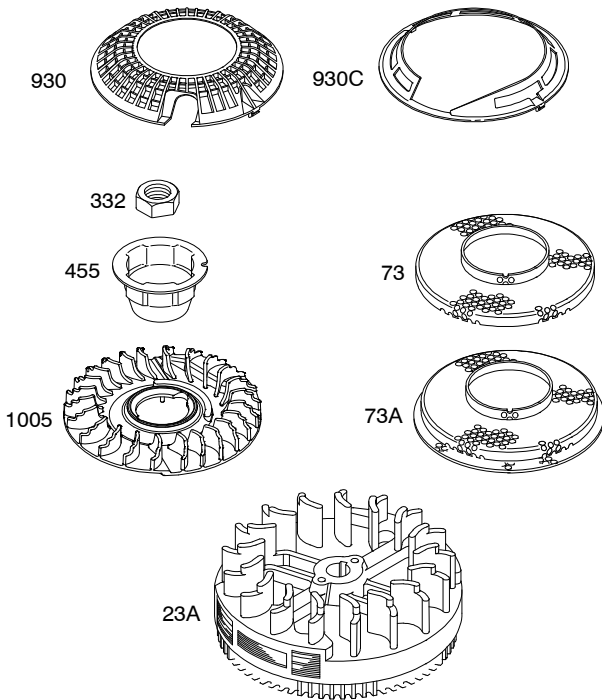
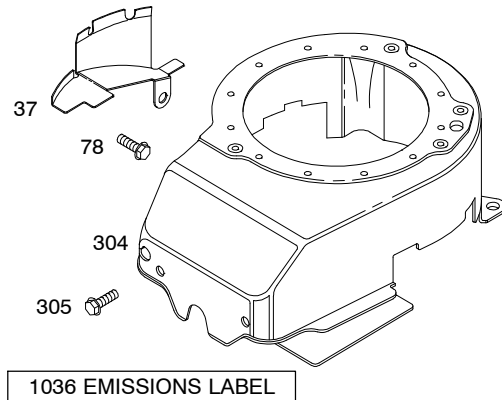
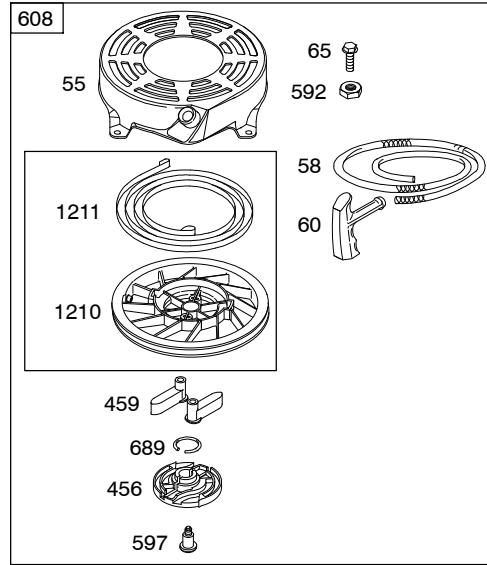
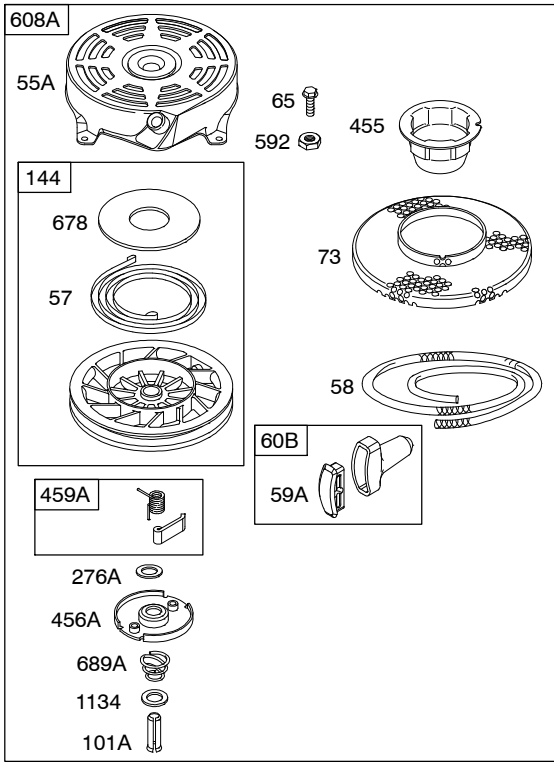
Illustrations cover a range of engines. Parts shown without corresponding text may not be used on your specific engine.  
 0567-3 Assemblies include all parts shown in frames. 06/27/2008



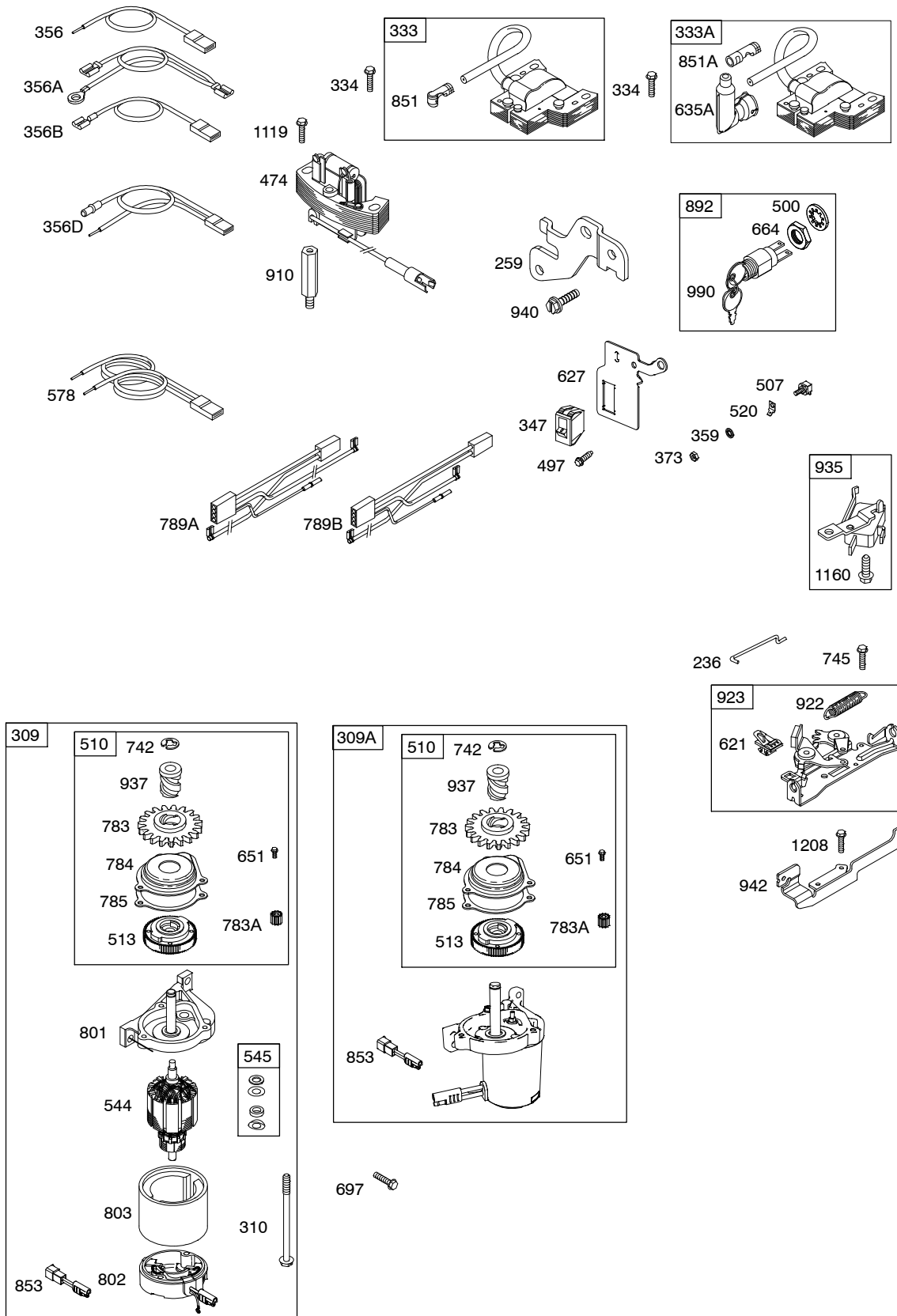
**Illustrations cover a range of engines. Parts shown without corresponding text may not be used on your specific engine.**  
**0567-4** Assemblies include all parts shown in frames. **06/27/2008**



Illustrations cover a range of engines. Parts shown without corresponding text may not be used on your specific engine.



Illustrations cover a range of engines. Parts shown without corresponding text may not be used on your specific engine.  
 0567-6 Assemblies include all parts shown in frames. 06/27/2008



Illustrations cover a range of engines. Parts shown without corresponding text may not be used on your specific engine.  
 0567-7 Assemblies include all parts shown in frames. 06/27/2008





| REF. NO. | PART NO. | DESCRIPTION  | REF. NO. | PART NO. | DESCRIPTION  | REF. NO. | PART NO. | DESCRIPTION  |
|----------|----------|--|----------|----------|--|----------|----------|--|
| 20       | ★399781S | Seal-Oil<br>(PTO Side)   | 25       | 795429   | Piston Assembly<br>(Standard)<br>(Used After Code Date<br>07090300).   | 26       | 795431   | Ring Set<br>(Standard)<br>(Used After Code Date<br>07090300).  |
| 20A      | ★691952  | Seal-Oil<br>(PTO Side)<br>(Auxiliary PTO)  |          |          | ----- <b>Note</b> -----  |          |          | ----- <b>Note</b> -----  |
| 22       | 691092   | Screw<br>(Crankcase Cover/<br>Sump)  |          | 791097   | Piston<br>Assembly<br>(Used After Code Date<br>04031400 and Before<br>Code Date 07090400).                     |          | 791098   | Ring Set<br>(Standard)<br>(Used After Code Date<br>04031400 and Before<br>Code Date 07090400).       |
| 23A      | 691987   | Flywheel<br>----- <b>Note</b> -----<br>691992 Flywheel<br>Used on Type No(s).<br>0660, 0672, 0674,<br>1770, 1783, 4711,<br>4715. |          | 499429   | Piston<br>Assembly<br>(Standard)<br>(Used After Code Date<br>97011200 and Before<br>Code Date 04031500).       |          | 499425   | Ring Set<br>(Standard)<br>(Used After Code Date<br>97011200 and Before<br>Code Date 04031500).       |
| 24       | 222698S  | Key-Flywheel   |          | 493262   | Piston<br>Assembly<br>(Standard)<br>(Used Before Code<br>Date 97011300).                                       |          | 493261   | Ring Set<br>(Standard)<br>(Used Before Code<br>Date 97011300).                                       |
|          |          |  |          | 795430   | Piston<br>Assembly<br>(.020" Oversize)<br>(Used After Code Date<br>07090300).                                  |          | 795432   | Ring Set<br>(.020" Oversize)<br>(Used After Code Date<br>07090300).                                  |
|          |          |  |          | 791326   | Piston<br>Assembly<br>(.020" Oversize)<br>(Used After Code Date<br>04102100 and Before<br>Code Date 07040400). |          | 791324   | Ring Set<br>(.020" Oversize)<br>(Used After Code Date<br>04102100 and Before<br>Code Date 07090400). |
|          |          |  |          | 499431   | Piston<br>Assembly<br>(.020" Oversize)<br>(Used After Code Date<br>97011200 and Before<br>Code Date 04102200). |          | 499427   | Ring Set<br>(.020" Oversize)<br>(Used After Code Date<br>97011200 and Before<br>Code Date 04102200). |
|          |          |  |          | 493386   | Piston<br>Assembly<br>(.020" Oversize)<br>(Used Before Code<br>Date 97011300).                                 |          | 493389   | Ring Set<br>(.020" Oversize)<br>(Used Before Code<br>Date 97011300).                                 |
|          |          |  |          | 493387   | Piston<br>Assembly<br>(.030" Oversize)<br>(Used Before Code<br>Date 97011300).                                 | 27       | 691866   | Lock-Piston Pin<br>(Used After Code Date<br>97011200).   |
|          |          |  |          |          |  |          |          | ----- <b>Note</b> -----<br>691588 Lock-Piston<br>Pin<br>(Used Before Code<br>Date 97011300).         |

★ Included in Engine Gasket Set-Ref. No.358.

● Included in Carburetor Overhaul Kit-Ref. No. 121.

◆ Included in Carburetor Gasket Set-Ref. No. 977.

⊘ Included in Valve Gasket Set-Ref. No 1095.

**Illustrations cover a range of engines. Parts shown without corresponding text may not be used on your specific engine.**

# 127700

| REF. NO. | PART NO. | DESCRIPTION   | REF. NO. | PART NO. | DESCRIPTION   | REF. NO. | PART NO. | DESCRIPTION  |
|----------|----------|---|----------|----------|---|----------|----------|--|
| 28       | 499423   | Pin-Piston<br>(Standard)<br>(Used After Code Date 97011200).<br>----- <b>Note</b> -----<br>298909 Pin-Piston<br>(Standard)<br>(Used Before Code Date 97011300).<br>298908 Pin-Piston<br>(.005" Oversize)<br>(Used Before Code Date 97011300). | 46       | 691449   | Camshaft<br>(Used After Code Date 96060200).<br>----- <b>Note</b> -----<br>492830 Camshaft<br>(Used Before Code Date 96060300).   | 57       | 491889   | Spring-Rewind Starter  |
| 29       | 499424   | Rod-Connecting<br>(Standard)<br>(Used After Code Date 97011200).<br>----- <b>Note</b> -----<br>490566 Rod-Connecting<br>(Standard)<br>(Used Before Code Date 97011300).   | 46A      | 691460   | Camshaft<br>(Clockwise)<br>(Used After Code Date 96060200).<br>Used on Type No(s). 0627.<br>----- <b>Note</b> -----<br>493740 Camshaft<br>(Clockwise)<br>(Used Before Code Date 96060300).<br>Used on Type No(s). 0627. | 58       | 697316   | Rope-Starter<br>(Cut To Required Length)   |
| 32       | 691664   | Screw<br>(Connecting Rod)   |          |          | 691459 Camshaft<br>(Counterclockwise)<br>(Used After Code Date 96060200).<br>Used on Type No(s). 0144, 0629, 0633, 0644, 1715, 1746, 1752, 1770.  | 59A      | 396892   | Insert-Grip  |
| 32A      | 695759   | Screw<br>(Connecting Rod)   |          |          | 493738 Camshaft<br>(Counterclockwise)<br>(Used Before Code Date 96060300).<br>Used on Type No(s). 0144, 0644.   | 60       | 281434S  | Grip-Starter Rope  |
| 33       | 262651S  | Valve-Exhaust   | 50       | 497465   | Manifold-Intake   | 60B      | 393152   | Grip-Starter Rope  |
| 34       | 262652S  | Valve-Intake  | 51       | ★272199S | Gasket-Intake   | 65       | 690837   | Screw<br>(Rewind Starter)  |
| 35       | 691270   | Spring-Valve<br>(Intake)  | 54       | 691650   | Screw<br>(Intake Manifold)  | 73       | 691222   | Screen-Rotating  |
| 36       | 691270   | Spring-Valve<br>(Exhaust)   | 55       | 691421   | Housing-Rewind Starter  | 73A      | 224527   | Screen-Rotating  |
| 37       | 694086   | Guard-Flywheel  | 55A      | 492831   | Housing-Rewind Starter  | 78       | 691108   | Screw<br>(Flywheel Guard)  |
| 40       | 692194   | Retainer-Valve  |          |          |   | 81       | 691740   | Lock-Muffler Screw   |
| 43       | 691997   | Slinger -Governor/Oil<br>----- <b>Note</b> -----<br>691486 Slinger-Governor/Oil<br>Used on Type No(s). 1762.  |          |          |   | 83       | 691778   | Shaft-Auxiliary Drive<br>----- <b>Note</b> -----<br>690521 Shaft-Auxiliary Drive<br>Used on Type No(s). 0144, 0644.<br>690522 Shaft-Auxiliary Drive<br>Used on Type No(s). 1770. |
| 45       | 690548   | Tappet-Valve  |          |          |   | 94       | ●493765  | Kit-Idle Mixture   |
|          |          |   |          |          |   | 95       | 691636   | Screw<br>(Throttle Valve)  |
|          |          |   |          |          |   | 97       | 493267   | Shaft-Throttle<br>(Metal)<br>----- <b>Note</b> -----<br>696565 Shaft-Throttle<br>(Plastic)   |
|          |          |   |          |          |   | 98       | 398185   | Kit-Idle Speed   |
|          |          |   |          |          |   | 98A      | 493280   | Kit-Idle Speed   |
|          |          |   |          |          |   | 101      | 691623   | Pin-Shaft  |
|          |          |   |          |          |   | 101A     | 262626   | Pin-Shaft<br>(For Rewind Starter)  |
|          |          |   |          |          |   | 104      | ●691242  | Pin-Float Hinge  |
|          |          |   |          |          |   | 108      | 691182   | Valve-Choke  |
|          |          |   |          |          |   | 109      | 494218   | Shaft-Choke  |

★ Included in Engine Gasket Set-Ref. No.358.

● Included in Carburetor Overhaul Kit-Ref. No. 121.

◆ Included in Carburetor Gasket Set-Ref. No. 977.

⊘ Included in Valve Gasket Set-Ref. No 1095.

**Illustrations cover a range of engines. Parts shown without corresponding text may not be used on your specific engine.**

| REF. NO. | PART NO. | DESCRIPTION   | REF. NO. | PART NO. | DESCRIPTION   | REF. NO. | PART NO. | DESCRIPTION   |
|----------|----------|---|----------|----------|---|----------|----------|---|
| 117      | 494870   | Jet-Main<br>(Standard)<br>(Used After Code Date 96060200).<br>----- <b>Note</b> -----<br>497466 Jet-Main<br>(Standard)<br>(Used After Code Date 95102900 and Before Code Date 96060300).<br>497315 Jet-Main<br>(Standard)<br>(Used Before Code Date 95103000).<br>493637 Jet-Main<br>(Standard)<br>Used on Type No(s).<br>0100, 0117, 0119,<br>0124, 0130, 0131,<br>0144. | 118      | 497315   | Jet-Main<br>(High Altitude)<br>(Used After Code Date 96060200).<br>----- <b>Note</b> -----<br>496495 Jet-Main<br>(High Altitude)<br>(Used After Code Date 95102900 and Before Code Date 96060300).<br>497348 Jet-Main<br>(High Altitude)<br>(Used Before Code Date 95103000).<br>496063 Jet-Main<br>(High Altitude)<br>Used on Type No(s).<br>0100, 0117, 0119,<br>0124, 0130, 0131,<br>0144. | 127      | 694468   | Plug-Welch  |
| 117A     | 498977   | Jet-Main<br>(Standard)<br>(Used After Code Date 96060200).<br>----- <b>Note</b> -----<br>493637 Jet-Main<br>(Standard)<br>(Used Before Code Date 96060300).   | 118A     | 498981   | Jet-Main<br>(High Altitude)<br>(Used After Code Date 96060200).<br>----- <b>Note</b> -----<br>496063 Jet-Main<br>(High Altitude)<br>(Used Before Code Date 96060300).   | 127A     | 691739   | Plug-Welch  |
|          |          |   | 121      | 498260   | Kit-Carburetor<br>Overhaul  | 130      | 691203   | Valve-Throttle<br>----- <b>Note</b> -----<br>696564 Valve-Throttle<br>(Primer System)<br>(Used After Code Date 01040800).   |
|          |          |   | 125      | 498170   | Carburetor<br>(Used After Code Date 96060200).<br>----- <b>Note</b> -----<br>498254 Carburetor<br>(Used Before Code Date 96060300).<br>496114 Carburetor<br>Used on Type No(s).<br>0100, 0117, 0119,<br>0124, 0130, 0131,<br>0144.  | 130A     | 691181   | Valve-Throttle  |
|          |          |   | 125A     | 498965   | Carburetor<br>(Used After Code Date 96060200).<br>----- <b>Note</b> -----<br>494217 Carburetor<br>(Used Before Code Date 96060300).<br>499059 Carburetor<br>Used on Type No(s).<br>1762.  | 133      | 398187   | Float-Carburetor  |
|          |          |   |          |          |   | 134      | 398188   | Kit-Needle/Seat   |
|          |          |   |          |          |   | 137      | 693981   | Gasket-Float Bowl   |
|          |          |   |          |          |   | 144      | 493824   | Pulley/Spring<br>Assembly   |
|          |          |   |          |          |   | 146      | 690979   | Key-Timing  |
|          |          |   |          |          |   | 159      | 691753   | Bracket-Air Cleaner<br>Primer   |
|          |          |   |          |          |   | 163★◆    | 272653   | Gasket-Air Cleaner  |
|          |          |   |          |          |   | 187      | 791766   | Line-Fuel<br>(Cut to Required Length)   |
|          |          |   |          |          |   | 187A     | 791873   | Line-Fuel<br>(Molded)   |
|          |          |   |          |          |   | 187B     | 791891   | Line-Fuel<br>(Includes Filter)<br>(Used After Code Date 05063000).<br>----- <b>Note</b> -----<br>692042 Line-Fuel<br>(Includes Filter)<br>(Used Before Code Date 05070100). |
|          |          |   |          |          |   | 188      | 690877   | Screw<br>(Control Bracket)  |
|          |          |   |          |          |   | 190      | 690940   | Screw<br>(Fuel Tank)  |
|          |          |   |          |          |   | 202      | 691829   | Link-Mechanical<br>Governor   |

★ Included in Engine Gasket Set-Ref. No.358.

● Included in Carburetor Overhaul Kit-Ref. No. 121.

◆ Included in Carburetor Gasket Set-Ref. No. 977.

⊘ Included in Valve Gasket Set-Ref. No 1095.

**Illustrations cover a range of engines. Parts shown without corresponding text may not be used on your specific engine.**

# 127700

| REF. NO.   | PART NO.      | DESCRIPTION  | REF. NO.    | PART NO.      | DESCRIPTION   | REF. NO.   | PART NO.      | DESCRIPTION         |            |               |   |             |               |   |             |               |                               |             |               |  |            |               |                        |            |               |              |            |                |             |            |               |                      |            |               |              |             |               |              |            |               |                      |            |               |  |
|------------|---------------|--|-------------|---------------|---|------------|---------------|---------------------|------------|---------------|---|-------------|---------------|---|-------------|---------------|-------------------------------|-------------|---------------|--|------------|---------------|------------------------|------------|---------------|--------------|------------|----------------|-------------|------------|---------------|----------------------|------------|---------------|--------------|-------------|---------------|--------------|------------|---------------|----------------------|------------|---------------|--|
| <b>209</b> | <b>699056</b> | Spring-Governor<br>----- <b>Note</b> -----<br><b>691852</b> Spring-Governor<br>Used on Type No(s).<br>1714, 1722, 1726, 1792.<br><b>691851</b> Spring-Governor<br>Used on Type No(s).<br>0618, 0624, 0639, 1734.<br><b>691292</b> Spring-Governor<br>Used on Type No(s).<br>0600, 0608, 0645, 1700, 1705, 1708, 1710, 1711, 1712, 1713, 1715, 1716, 1717, 1718, 1719, 1723, 1736, 1740, 1745, 1746, 1791, 1792.<br><b>691291</b> Spring-Governor<br>Used on Type No(s).<br>4715.<br><b>691290</b> Spring-Governor<br>Used on Type No(s).<br>0674.<br><b>690241</b> Spring-Governor<br>Used on Type No(s).<br>1762. | <b>209A</b> | <b>691276</b> | Spring-Governor<br>----- <b>Note</b> -----<br><b>691835</b> Spring-Governor<br>Used on Type No(s).<br>0646, 0647.<br><b>691834</b> Spring-Governor<br>Used on Type No(s).<br>0117, 0119, 0123, 0144, 0629, 0633, 0641, 0648, 0651, 0653, 0654, 0678.<br><b>691833</b> Spring-Governor<br>Used on Type No(s).<br>0626.<br><b>691275</b> Spring-Governor<br>Used on Type No(s).<br>0120, 0124.<br><b>690569</b> Spring-Governor<br>Used on Type No(s).<br>0627, 0632.<br><b>690568</b> Spring-Governor<br>Used on Type No(s).<br>0672.<br><b>690567</b> Spring-Governor<br>Used on Type No(s).<br>0660.<br><b>262661</b> Spring-Governor<br>Used on Type No(s).<br>0100, 0115, 0131.<br><b>262659</b> Spring-Governor<br>Used on Type No(s).<br>0130. | <b>217</b> | <b>690354</b> | Spring-Choke Return | <b>222</b> | <b>790143</b> | Bracket-Control (Remote/Manual Friction) (Primer) | <b>222A</b> | <b>692021</b> | Bracket-Control (Remote, Choke A Matic, Non Compliance)<br>----- <b>Note</b> -----<br><b>690839</b> Bracket-Control (Manual Friction) (Choke A Matic)<br>Used on Type No(s).<br>0648, 0651, 0653, 0654, 0672, 0676, 0677, 0678. | <b>222D</b> | <b>692467</b> | Bracket-Control (Fixed Speed) | <b>222E</b> | <b>692982</b> | Bracket-Control (Fixed Speed, and 5 Position Manual Choke) | <b>227</b> | <b>690783</b> | Lever-Governor Control | <b>236</b> | <b>691826</b> | Link-Lockout | <b>240</b> | <b>298090S</b> | Filter-Fuel | <b>259</b> | <b>691223</b> | Bracket-Casing Clamp | <b>265</b> | <b>690798</b> | Clamp-Casing | <b>265A</b> | <b>691024</b> | Clamp-Casing | <b>267</b> | <b>691044</b> | Screw (Casing Clamp) | <b>268</b> | <b>691025</b> | Casing-Control Wire (Cut to Required Length) |

★ Included in Engine Gasket Set-Ref. No.358.

● Included in Carburetor Overhaul Kit-Ref. No. 121.

◆ Included in Carburetor Gasket Set-Ref. No. 977.

⊘ Included in Valve Gasket Set-Ref. No 1095.

**Illustrations cover a range of engines. Parts shown without corresponding text may not be used on your specific engine.**

**0567-12**

Assemblies include all parts shown in frames.

**06/27/2008**

| REF. NO. | PART NO. | DESCRIPTION  | REF. NO.                   | PART NO. | DESCRIPTION                                    | REF. NO. | PART NO. | DESCRIPTION                        |
|----------|----------|--|----------------------------|----------|--|----------|----------|------------------------------------|
| 269      | 691026   | Wire-Control<br>(Cut to Required Length)   | 332                        | 690662   | Nut<br>(Flywheel)                              | 443A     | 692523   | Screw<br>(Air Cleaner Primer Base) |
| 270      | 691027   | Nut<br>(Control Wire Casing)   | 333                        | 802574   | Armature-Magneto                               | 445A     | 491588S  | Filter-Air Cleaner<br>Cartridge    |
| 271      | 691028   | Lever-Control  | 333A                       | 792640   | Armature-Magneto<br>(Screw On Spark Plug Boot) | 455      | 791960   | Cup-Flywheel                       |
| 276      | ♦♦271716 | Washer-Sealing   | ----- Note -----           |          |  | 456      | 692299   | Plate-Pawl Friction                |
| 276A     | 280973   | Washer-Sealing   | 793353 Armature-Magneto    |          |  | 456A     | 224321   | Plate-Pawl Friction                |
| 287      | 690940   | Screw<br>(Dipstick Tube)   | (Snap In Spark Plug Boot)  |          |  | 459      | 281505S  | Plate-Ratchet                      |
| 300      | 496106S  | Muffler<br>(Tuned)   | 334                        | 691061   | Screw<br>(Magneto Armature)                    | 459A     | 492833   | Pawl-Ratchet                       |
| 300A     | 494343S  | Muffler<br>(Square Lo Tone)  | 337                        | 802592S  | Plug-Spark<br>(Resistor)                       | 474      | 691991   | Alternator                         |
| 304      | 493293   | Housing-Blower   | ----- Note -----           |          |  | 489      | 690664   | Screw<br>(Linkage Lever)           |
|          |          | 493294 Housing-Blower  | 697451 Plug-Spark<br>(EMS) |          |  | 497      | 690664   | Screw<br>(Stopswitch Bracket)      |
|          |          | Used on Type No(s).<br>0115, 0626, 0639,<br>0646, 0660, 0672,<br>0674, 1734, 1762,<br>1770, 1783, 4711,<br>4715. | 346                        | 690661   | Screw<br>(Spark Arrestor)                      | 500      | 691086   | Washer<br>(Key Switch)             |
|          |          | 695892 Housing-Blower  | 347                        | 691396   | Switch-Rocker                                  | 505      | 691251   | Nut<br>(Governor Control Lever)    |
|          |          | Used on Type No(s).<br>1735.   | 356                        | 692390   | Wire-Stop                                      | 507      | 691972   | Insulator                          |
| 305      | 691108   | Screw<br>(Blower Housing)  | 356A                       | 690650   | Wire-Stop                                      | 510      | 795093   | Drive-Starter                      |
| 306      | 690450   | Shield-Cylinder  | 356B                       | 693010   | Wire-Stop                                      | 513      | 692358   | Clutch-Drive                       |
| 307      | 690345   | Screw<br>(Cylinder Shield)   | 356D                       | 496381   | Wire-Stop                                      | 520      | 691084   | Terminal-Ground                    |
| 309      | 695550   | Motor-Starter<br>(Used Before Code<br>Date 07052900).  | 358                        | 497316   | Gasket Set-Engine                              | 523      | 499621   | Dipstick                           |
| 309A     | 795092   | Motor-Starter<br>(Used After Code Date<br>07052800).   | 359                        | 691077   | Washer<br>(Ground Terminal)                    | 524      | ★692296  | Seal-Dipstick Tube                 |
| 310      | 692327   | Bolt<br>(Starter Motor)  | 363                        | 19069    | Flywheel Puller                                | 525      | 495265   | Tube-Dipstick                      |
|          |          |  | 365                        | 691688   | Screw<br>(Carburetor)                          | 529      | 691923   | Grommet                            |
|          |          |  | 373                        | 691612   | Nut<br>(Ground Terminal)                       | 544      | 690786   | Armature-Starter                   |
|          |          |  | 374                        | 691074   | Washer<br>(Camshaft)                           | 545      | 492919   | Washer Set<br>(Starter Motor)      |
|          |          |  | 383                        | 89838S   | Wrench-Spark Plug                              | 562      | 92613    | Bolt<br>(Governor Control Lever)   |
|          |          |  | 404                        | 690272   | Washer<br>(Governor Crank)                     | 578      | 398153   | Wire Assembly                      |
|          |          |  | 410                        | 690575   | Link-Control                                   | 584      | 697734   | Cover-Breather<br>Passage          |
|          |          |  | 425A                       | 690670   | Screw<br>(Air Cleaner Cover)                   | 585      | ★691879  | Gasket-Breather<br>Passage         |

★ Included in Engine Gasket Set-Ref. No.358.

● Included in Carburetor Overhaul Kit-Ref. No. 121.

◆ Included in Carburetor Gasket Set-Ref. No. 977.

⊘ Included in Valve Gasket Set-Ref. No 1095.

**Illustrations cover a range of engines. Parts shown without corresponding text may not be used on your specific engine.**

# 127700

| REF. NO.    | PART NO. | DESCRIPTION  | REF. NO. | PART NO. | DESCRIPTION                       | REF. NO.                                  | PART NO.   | DESCRIPTION   |   |                                 |                           |
|-------------|----------|--|----------|----------|-----------------------------------|---|--|---|---|---------------------------------|---------------------------|
| 592         | 690800   | Nut<br>(Rewind Starter)                                      | 677      | 690661   | Screw<br>(Muffler Deflector)      | 784                                       | 795095   | Cover-Starters Gear   |   |                                 |                           |
| 597         | 691696   | Screw<br>(Pawl Friction Plate)                               | 678      | 224278   | Spacer-Rewind                     | 785                                       | 692352   | Gasket-Starters Cover   |   |                                 |                           |
| 601         | 791850   | Clamp-Hose   | 684      | 690345   | Screw<br>(Breather Passage Cover) | 789A                                      | 691372   | Harness-Wiring<br>(Used Before Code Date 00040700).   |   |                                 |                           |
| 601A        | 691038   | Clamp-Hose   | 689      | 691855   | Spring-Friction                   | 789B                                      | 696547   | Harness-Wiring<br>(Used After Code Date 00040600).  |   |                                 |                           |
| 608         | 497680   | Starter-Rewind   | 689A     | 262625   | Spring-Friction                   | 801                                       | 690782   | Cap-Drive   |   |                                 |                           |
| 608A        | 497598   | Starter-Rewind   | 697      | 691127   | Screw<br>(Drive Cap)              | 802                                       | 695267   | Cap-End<br>(Used After Code Date 00040600).   |   |                                 |                           |
| 613         | 691340   | Screw<br>(Muffler)   | 715      | 691147   | Screw<br>(Shaft Stop)             | ----- <b>Note</b> -----                   |  |   |   |                                 |                           |
| 613A        | 691653   | Screw<br>(Muffler)   | 718      | 690959   | Pin-Locating                      | 695975                                    | Cap-End<br>(Used Before Code Date 00040700).           |   |   |                                 |                           |
| 615         | 690340   | Retainer-Governor<br>Shaft                                   | 721      | 690449   | Stop-Shaft                        | 803                                       | 695266   | Housing-Starters<br>(Used After Code Date 00040600).  |   |                                 |                           |
| 616         | 698801   | Crank-Governor   | 741      | 795755   | Gear-Timing<br>(Plastic)          | ----- <b>Note</b> -----                   |  |   |   |                                 |                           |
| 617★◆270344 |          | Seal-O Ring<br>(Intake Manifold)                             |          |          | 794388                            | Gear-Timing<br>(Use Without Woodruff Key) | 695975   | Housing-Starters<br>(Used Before Code Date 00040700).   |   |                                 |                           |
| 621         | 692310   | Switch-Stop  |          |          | 790345                            | Gear-Timing<br>(Use Without Woodruff Key) | 832  | 499034  | Guard-Muffler                           |                                 |                           |
| 624         | 691419   | Lever-Linkage  |          |          |                                   | (Used Before Code Date 07100100).         | 836  | 690664  | Screw<br>(Muffler Guard)                |                                 |                           |
| 627         | 692872   | Bracket-Stop Switch  |          |          | 691830                            | Gear-Timing<br>(Uses Woodruff Key)        | 842  | ★691031   | Seal-O Ring<br>(Dipstick/Tube Assembly) |                                 |                           |
| 633◆◆691321 |          | Seal-Choke/Throttle<br>Shaft<br>(Throttle Shaft)             |          |          | 742                               | 93941                                     | Retainer-E Ring  | 843   | 691884                                  | Sleeve-Lever<br>(Speed Control) |                           |
| 635         | 66538S   | Boot-Spark Plug  |          |          | 743                               | 690516                                    | Gear-Drive<br>(Clockwise)<br>Used on Type No(s). 0627. | 843A  | 691895                                  | Sleeve-Lever<br>(Choke)         |                           |
| 635A        | 792597   | Boot-Spark Plug<br>(Screw On Style)                          |          |          |                                   |   | 691772   | Gear-Drive<br>(Counterclockwise)<br>Used on Type No(s). 0144, 0629, 0633, 0644, 1715, 1752, 1770. | 847                                     | 692047                          | Dipstick/Tube<br>Assembly |
|             |          | ----- <b>Note</b> -----                                      |          |          |                                   |   |  | 851   | 493880S                                 | Terminal-Spark Plug             |                           |
|             |          | 793351   |          |          |                                   |   |  | 851A  | 692424                                  | Terminal-Spark Plug             |                           |
|             |          | Boot-Spark Plug<br>(Snap On Style)                           |          |          |                                   |   |  | 853   | 695268                                  | Adapter-Wire                    |                           |
| 651         | 691660   | Screw<br>(Starter Gear Cover)                                |          |          |                                   |   |  | 868   | 697338                                  | Seal-Valve                      |                           |
| 664         | 691087   | Nut<br>(Key Switch)  |          |          |                                   |   |  | 869   | 691155                                  | Seat-Valve<br>(Intake)          |                           |
| 668         | ★493823  | Spacer<br>(Includes 2)                                       |          |          |                                   |   |  |   |   |                                 |                           |
| 670         | 692294   | Spacer-Fuel Tank   |          |          |                                   |   |  |   |   |                                 |                           |
| 676         | 396548   | Deflector-Muffler<br>(Louvered)                              |          |          |                                   |   |  |   |   |                                 |                           |
| 676A        | 393756   | Deflector-Muffler<br>(Side Out)<br>(Shallow)                 | 745      | 691648   | Screw<br>(Brake)                  |   |  |   |   |                                 |                           |
| 676C        | 493871   | Deflector-Muffler<br>(Side Out)<br>(Extended)<br>(Horseshoe) | 783      | 691918   | Gear-Pinion                       |   |  |   |   |                                 |                           |
| 676E        | 393760   | Deflector-Muffler<br>(Side Out)<br>(Deep)                    | 783A     | 691269   | Gear-Pinion                       |   |  |   |   |                                 |                           |

★ Included in Engine Gasket Set-Ref. No.358.

● Included in Carburetor Overhaul Kit-Ref. No. 121.

◆ Included in Carburetor Gasket Set-Ref. No. 977.

⊘ Included in Valve Gasket Set-Ref. No 1095.

**Illustrations cover a range of engines. Parts shown without corresponding text may not be used on your specific engine.**

| REF. NO. | PART NO. | DESCRIPTION   | REF. NO. | PART NO. | DESCRIPTION                              | REF. NO. | PART NO. | DESCRIPTION  |
|----------|----------|---|----------|----------|--|----------|----------|--|
| 870      | 690380   | Seat-Valve<br>(Exhaust)                             | 937      | 691325   | Spline-Starter                           | 1005     | 691346   | Fan-Flywheel   |
| 871      | 262001   | Bushing-Valve Guide<br>(Exhaust)                    | 940      | 691044   | Screw<br>(Casing Clamp<br>Bracket)       | 1019     | 494256   | Kit-Label  |
|          |          | ----- <b>Note</b> -----                             | 942      | 690455   | Bracket-Brake                            | 1036     |          | Label-Emissions<br>(Available From A<br>Briggs & Statton<br>Authorized Dealer) |
|          |          | 63709 Bushing-Valve-<br>Guide<br>(Intake)           | 957A     | 692046   | Cap-Fuel Tank<br>(Plastic)               | 1040     | 281252   | Plate-Trim   |
| 883      | ★∅691881 | Gasket-Exhaust                                      | 958      | 698183   | Valve-Fuel Shutoff<br>(Plastic)          | 1058     | 277039   | Operator's Manual  |
| 892      | 690646   | Switch-Key  | 966A     | 496116   | Base-Air Cleaner<br>Primer               | 1059     | 692311   | Kit-Screw/Washer   |
| 910      | 691094   | Stud<br>(Alternator)                                | 967A     | 493537S  | Filter-Pre Cleaner                       | 1095     | 498528   | Gasket Set-Valve   |
| 922      | 691831   | Spring-Brake  | 968B     | 692298   | Cover-Air Cleaner                        | 1102     | 691255   | Guide-Pilot  |
|          |          | ----- <b>Note</b> -----                             | 970      | 691669   | Screw<br>(Air Cleaner Primer<br>Bracket) | 1119     | 691648   | Screw<br>(Alternator)  |
|          |          | 692135 Spring-Brake<br>Used on Type No(s).<br>1735. | 972      | 699392   | Tank-Fuel<br>(Plastic)                   | 1134     | 224322   | Washer<br>(Pawl Friction Plate)  |
| 923      | 691994   | Brake   | 972D     | 497343   | Tank-Fuel<br>(Plastic)                   | 1160     | 690345   | Screw<br>(Interlock Switch)  |
|          |          | ----- <b>Note</b> -----                             | 975      | 493640   | Bowl-Float                               | 1208     | 690345   | Screw<br>(Brake Bracket)   |
|          |          | 695891 Brake<br>Used on Type No(s).<br>1735.        | 976      | 694395   | Primer-Carburetor                        | 1210     | 498144   | Pulley/Spring<br>Assembly<br>(Pulley)  |
| 930      | 691919   | Guard-Rewind<br>(Round)                             | 977      | 498261   | Gasket Set-Carburetor                    | 1211     | 498144   | Pulley/Spring<br>Assembly<br>(Spring)  |
| 930C     | 690598   | Guard-Rewind<br>(Trim Ring)                         | 986      | 693514   | Filter-Debris Foam                       | 1319     | 794467   | Label-Warning  |
| 935      | 499421   | Switch-Interlock                                    | 990      | 691959   | Key Set                                  | 1330     | 270962   | Manual-Repair  |
|          |          |   | 994      | 398067   | Arrestor-Spark                           |          |          |  |
|          |          |   | 994A     | 692957   | Arrestor-Spark                           |          |          |  |

★ Included in Engine Gasket Set-Ref. No.358.

● Included in Carburetor Overhaul Kit-Ref. No. 121.

◆ Included in Carburetor Gasket Set-Ref. No. 977.

∅ Included in Valve Gasket Set-Ref. No. 1095.

**Illustrations cover a range of engines. Parts shown without corresponding text may not be used on your specific engine.**